



PP-110 PP-5210 PUA-310 PP-110/Mn PUA-310/Mn

Proximity Reader, MIFARE® Card Reader / Writer



PP-110

- PP-110/M0
- PP-110/M1
- PP-110/M2
- PP-110/M8



PP-5210



PUA-310

- PUA-310 / M0
- PUA-310 / M1
- PUA-310 / M2
- PUA-310 / M8

Mifare contactless smart card reader



Introduction:

All of these products provide contactless reading technology, the Wiegand and serial formats output easily interfaces with all existing Wiegand access control system like Pegasus or other standard product. Crisp architectural styling with an elegantly curved faceplate, the enclosure designed to withstand harsh environments, providing reliable performance, and the ability of vandal resistance. A red LED flashes green with the buzzer sounds when the reader is accessed that provides distinguishable visual and sound indication.

PP-110/M2 and PUA-310/M2 are MIFARE® Reader / Writer for contactless smart cards, for application in value or data storage, such as access control, vending, toll station, ticketing, bank card, transit card, ID card, phone card, and various prepaid cards.

Features:

- Standard Wiegand 26 bits format output and Pegasus proprietary serial(RS-232C, RS-485, RS-422) format.
- Easily interfaced with Pegasus or other standard access controller.
- Compact size with contactless reading technology for passive smart card , keyfobs and EM card.
- Low profile and designed for indoor or outdoor (models with epoxy) application.
- Auto power reset with CPU watchdog function.
- Enclosure tamper switch (optional).
- Weatherproof protection with epoxy (optional).
- 48-bit read and write keys are highly secured for mutual authentication (Mifare product).
- Unique key pair may be defined for each sector (Mifare product).
- Reader and card must have the matching keys (Mifare product).

Specifications:

Model No.	PP-110	PUA-310	PP-5210	PP-110/Mn	PUA-310/Mn
Frequency / Modulation	125KHz/ASK	125KHz/ASK	125KHz/ASK	13.56MHz/FSK	13.56MHz/FSK
Card Type	EM	EM	EM	Mifare card ISO 14443A	Mifare card ISO 14443A
Access Distance	8 ~ 15 cm			4 ~ 8 cm	
Output Interface selectable	RS-232C / RS-485 / RS-422 / 26, 34 bits Wiegand or ABA track II (optional)				
Transmission rate	By respective communication protocol				
Indicators	Bicolor (red / green) LED and buzzer				
Enclosure material	ABS	ABS	ABS	ABS	ABS
Power requirement	12V DC, 60mA	12V DC, 60mA	12V DC, 75mA	12V DC, 85mA	12V DC, 85mA
Operating Temperature	-20°C ~60°C				
Humidity	10% ~ 90% RH, Non condensation				
Dimension (L)x(W)x(H)mm	94x43x15	116x76x13	120x83x30	94x43x15	116x76x13
(L)x(W)x(H)inch	3.70x1.69x0.59	4.57x2.99x0.51	4.72x3.27x1.18	3.70x1.69x0.59	4.57x2.99x0.51
Weight	0.09 Kg±5%	0.21 Kg±5%	0.25 Kg±5%	0.09 Kg±5%	0.25 Kg±5%

PUA-311 is the equivalent of PUA-310 with keypad

PP-5211 is the equivalent of PP-5210 with keypad

PP-110/M0 and PUA-310/M0 read MIFARE serial number (UID)

PP-110/M1 and PUA-310/M1 read MIFARE specific sector contents (User defined block)

PP-110/M2 and PUA-310/M2 with MIFARE card read / write function

PP-110/M8 and PUA-310/M8 read MIFARE Block 08-(Fixed block assigned by pongee)

MIFARE® is a registered trademark of Philips Electronics N.V.



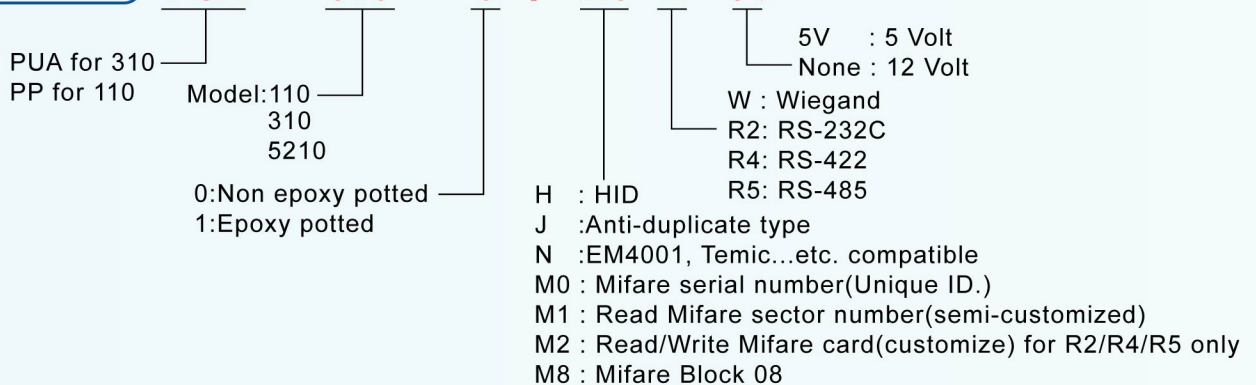
PUA-311



PP-5211

How to order :

PUA - 310 - 0 / M0 W - 5V



* We reserve the right to change the specification without prior notice or obligation!



PONGEE INDUSTRIES CO.,LTD.

5F, NO. 738, Chung-Cheng Road, Chung-Ho City, Taipei, 23511, Taiwan

Tel : 886-2-82280198 #222

Fax : 886-2-82280191

E-mail : pongee@pongee.com.tw

http://www.pongee.com

Tel : 886-2-82280198 #705

Fax : 886-2-82280183

E-mail : support@pongee.com.tw

http://www.pongee.ebigchina.com